

i-Nova2

The ideal camera for ITS



Toll Evasion



Road safety



Surveillance



Speed enforcement

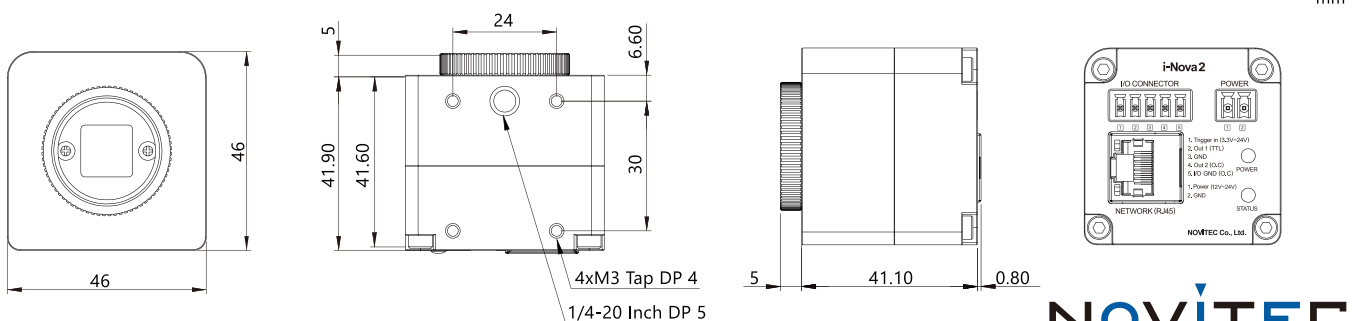
- Full HD, 30 fps @ 1920 x 1080 pixels
- Sony / ON-Semi CMOS global shutter sensor
- Multi shot trigger mode (Max. 4 frames)
- MJPEG, H.264, JPEG
- ONVIF



Specification

Model	iN2-23SC-C	iN2-23OC-C
Image sensor	Sony IMX392, 1/2.3", CMOS	ON-Semi AR0234CS, 1/2.6", CMOS
Resolution / Frame rate	1920 x 1080 pixels / 30 fps	
Shutter mode	Global shutter	
Lens mount	C / CS mount	
Trigger mode	Pseudo trigger, external trigger (One shot / multi shot), software trigger	
Protocol	RTSP (MJPEG, H.264), Novitec protocol (JPEG), ONVIF	
I/O port	1 x Input for triggering 2 x Strobe (TTL, open collector)	
Interface	100 / 1000 Mbps Ethernet (RJ45)	
Power supply / Power consumption	12 V DC ~ 24 V DC / < 4 W	
Operating temperature / Humidity	0 °C ~ 50 °C / 20 % ~ 80 %	
Dimension / Weight	46 x 46 x 40.5 mm / 137 g	
SDK	Viewer and example code for Novitec protocol (C#, C++)	
Certificate	KC	

Dimension



NOVITEC
Vision Intelligence

30-18, Baekjegobun-ro 39-gil, Songpa-gu, Seoul, South-Korea

Tel | +82-70-7122-1000 Fax | +82-70-7159-1315 E-mail | sales@novitec.co.kr

www.novitec.co.kr